

Figure 1

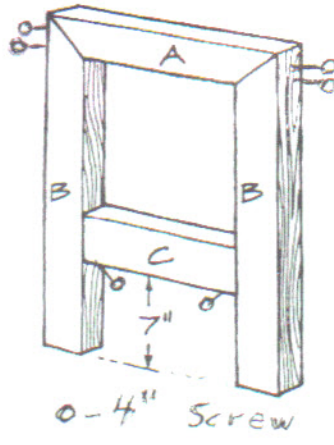
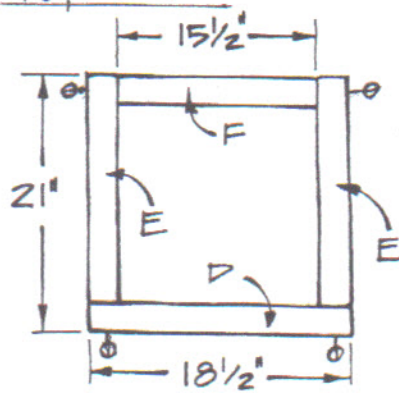


Figure 2 Top View



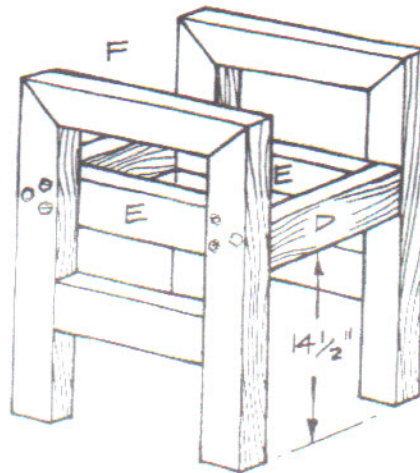
Front View



\ominus - 2 1/2" Screw

Figure 3

0-4" Screw
0-2 1/2" Screw



Back support & slat view to show where to
line up the slats

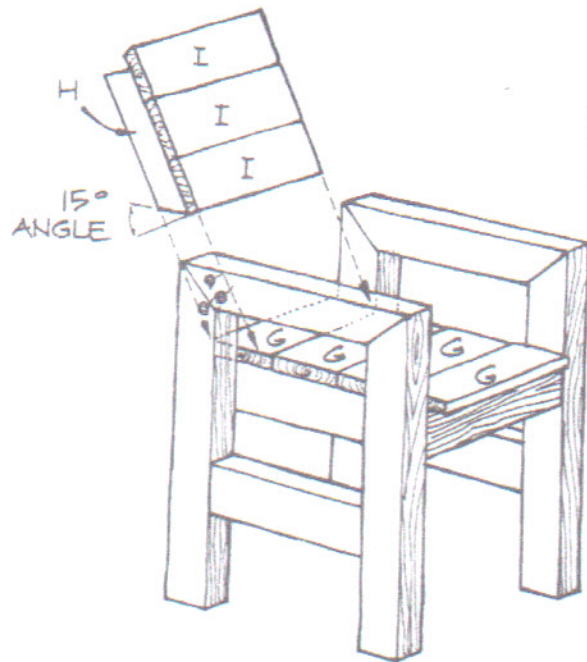
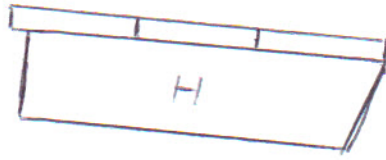


Figure 4
Final Assembly

● - 2 1/2" Screw